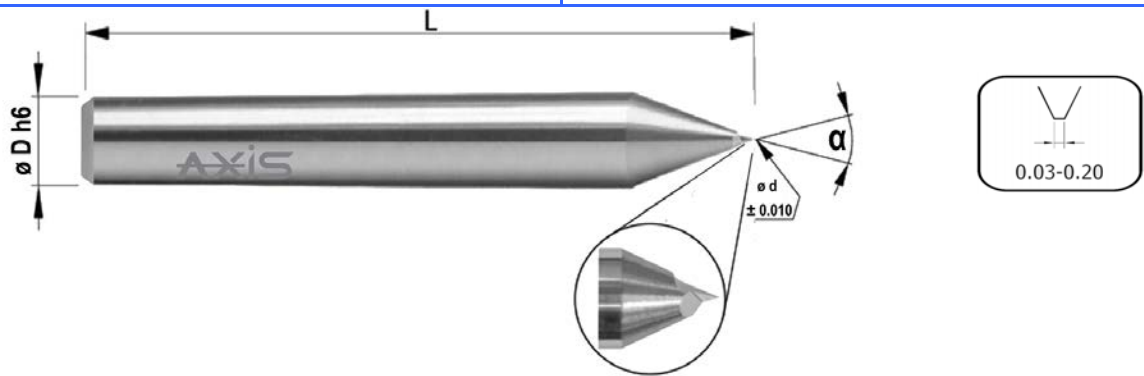


**PRODUCT DATA SHEET**

Product Information			Customer Information	
Description:	Engraving Mill Reinforced		Company Name:	
Raw Material:			Address:	
Application:			Contact Person:	
Machine:	Speed(rpm):	Feed(mm/min):	Tel:	
	Cutting Speed(m/min):	Feed(mm/rev):	Tfx:	
Coolant flow:	Coolant pressure:		e-Mail:	
Type of Coating (Select from below)	Coating	Non-coating	Skype:	
TialN    AlTiN    AlCrN    TiN    TiCN    DLC    Diamond			Enquiry	Order
			Quantity:	

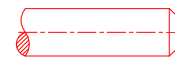


Helix ( $\lambda$ ) = 0

$\alpha$  : 30 /35 /40 /45 /50 /55 /60 /90 normally  
or as per customer's requirement

Parameters for tool:

d	
$\alpha$	
L	
D	



Form HA



Form HAK



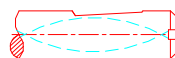
Form HB



Form HBK



Form HE



Form HEK

Right Hand    Left Hand

**DIRECTION**

- All Dimensions in mm otherwise specified.